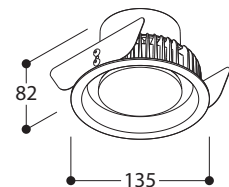


NAME	ORBITAL BASIC LEAF "FLOW CONTROL"	
------	--------------------------------------	--

REFERENCE	TAL	ETP	
	650706	AV00216	TEXT. BLACK
	650707	AV00217	TEXT. WHITE

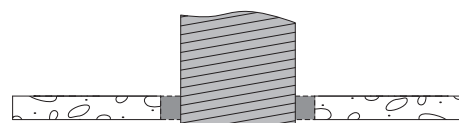
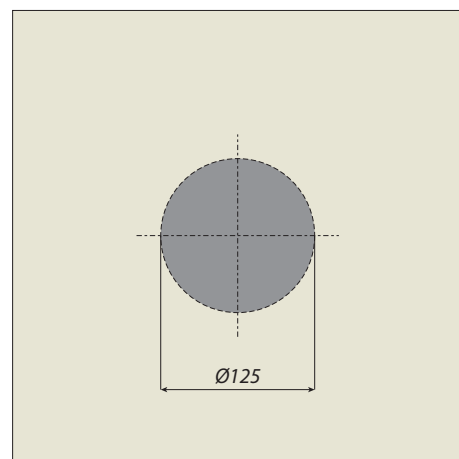
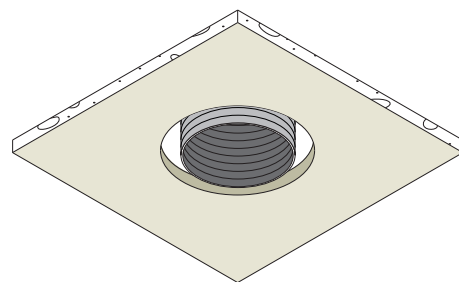


SPECIFICATIONS	Ventilation valve	Supply air/extract air
	Adjustable flow regulator	Incorporated
	Material	Powdercoated aluminium
	Installation	Leaf springs
	Weight	0,6
Installation depth / cut out	180mm	Ø125mm

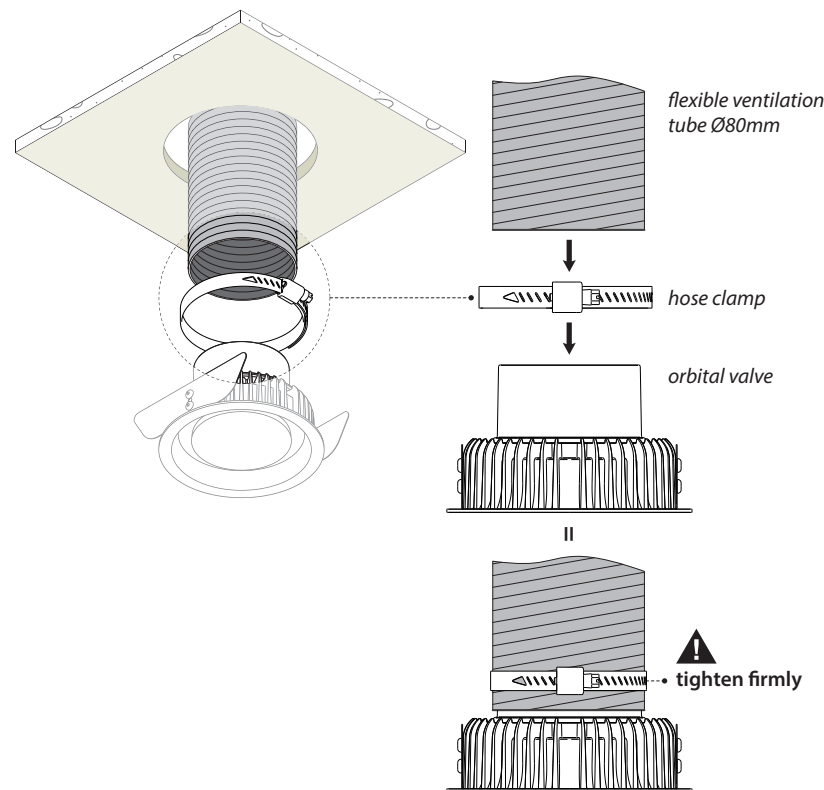
MAXIMUM FLOW RATE	SOUND POWER (dB(A))	FLOW RATE (m³/h)	
		SUPPLY	EXHAUST
	35,0	68,0	85,0
	30,0	56,0	71,0
	25,0	47,0	59,0

INSTALLATION

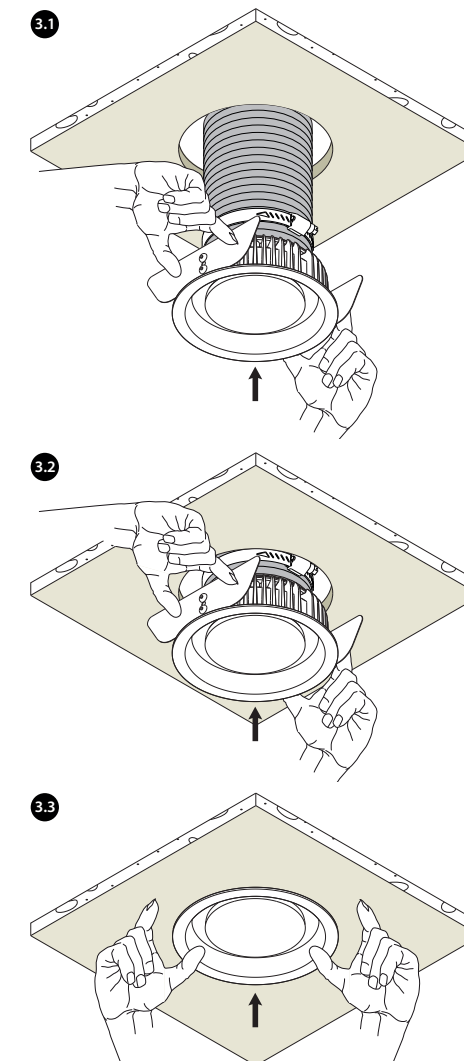
1 Make hole Ø125mm (127mm)
(min. depth hollow ceilings: 180mm)



2 Connect ventilation tube to the valve
with hose clamp (not included)



3 Deform the leaf springs by hand and
push the valve gently into the hole



4 Regulate the air flow by rotating the
adjuster & fixate with nut/washer

